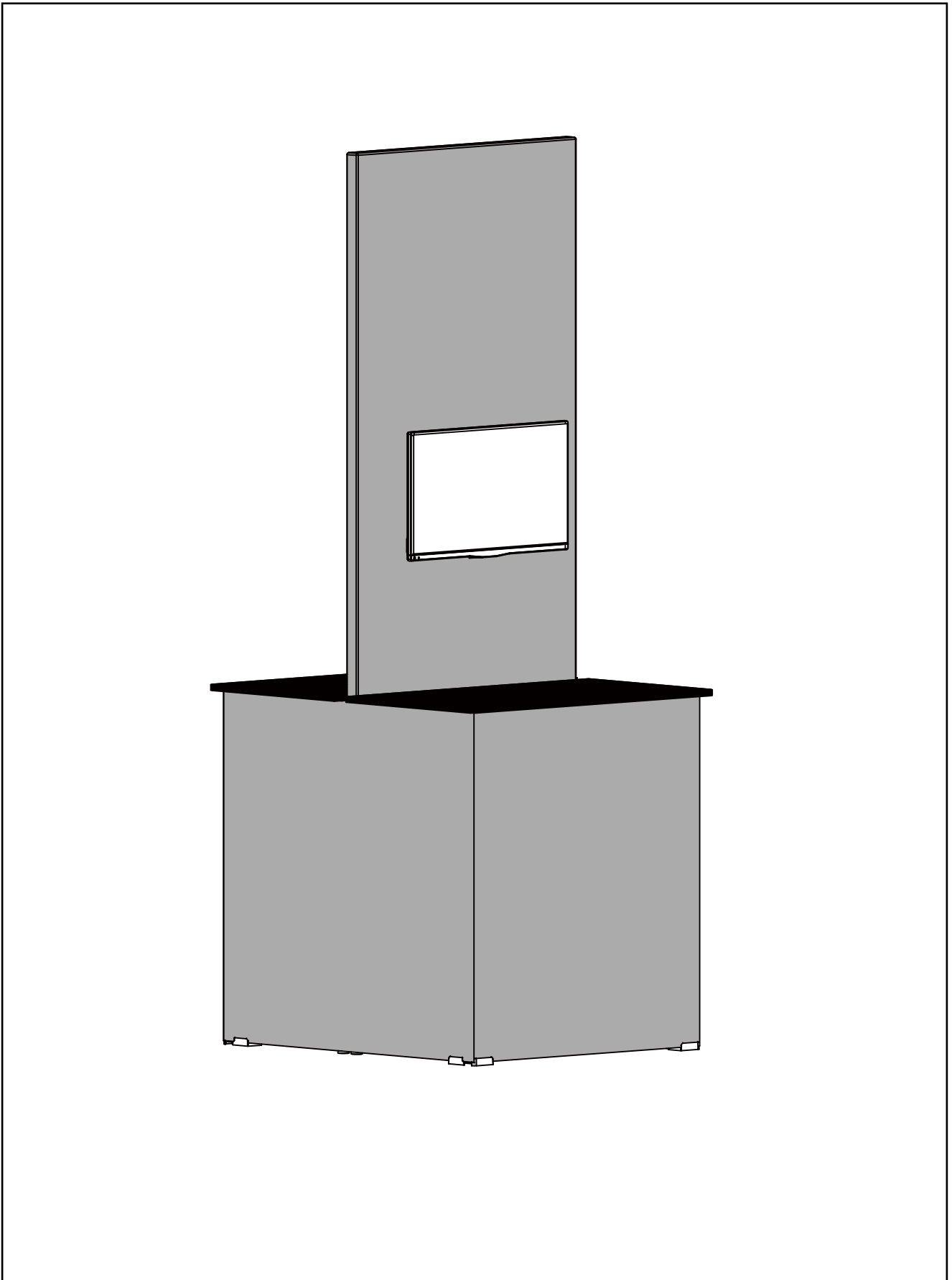
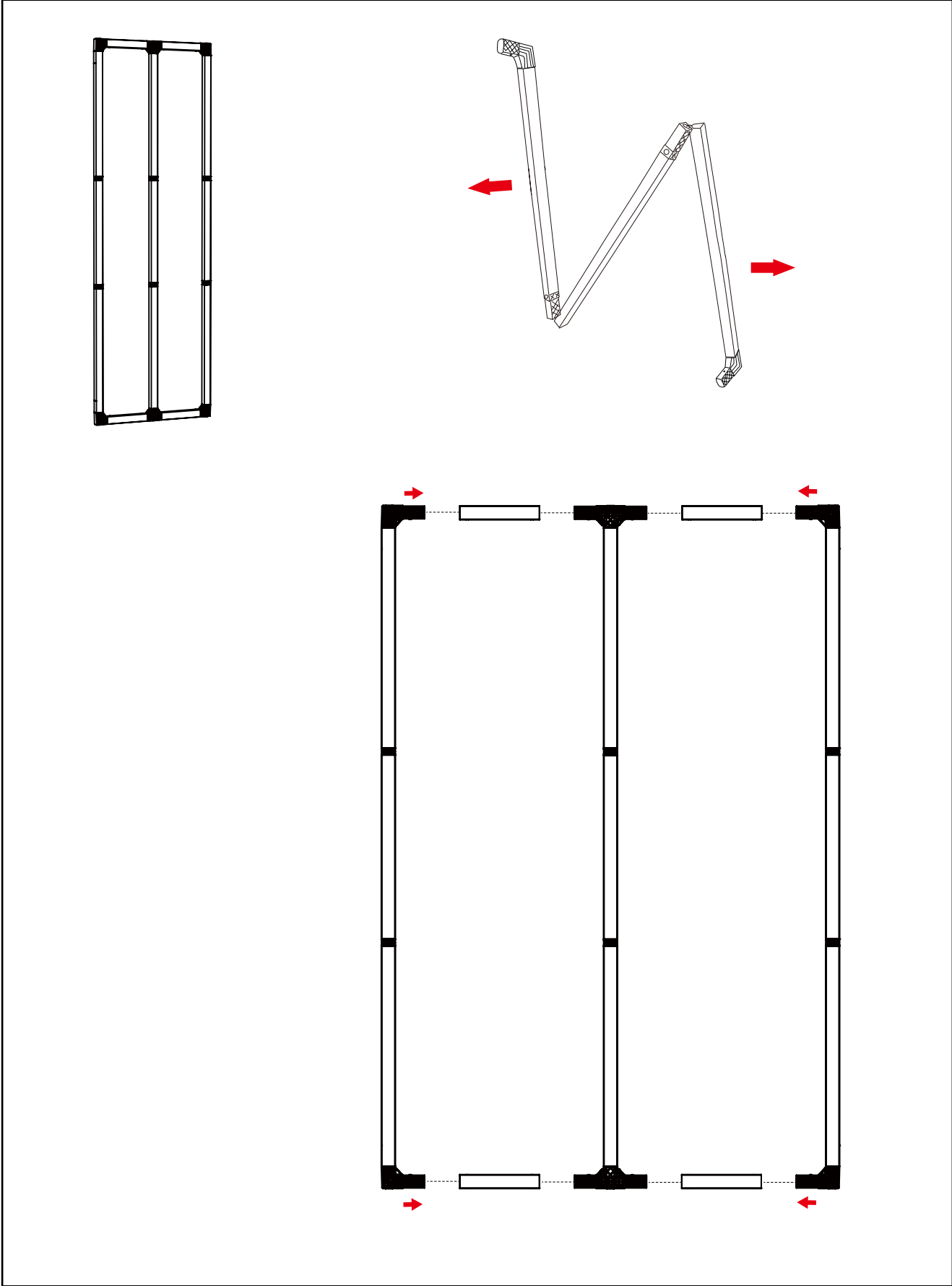


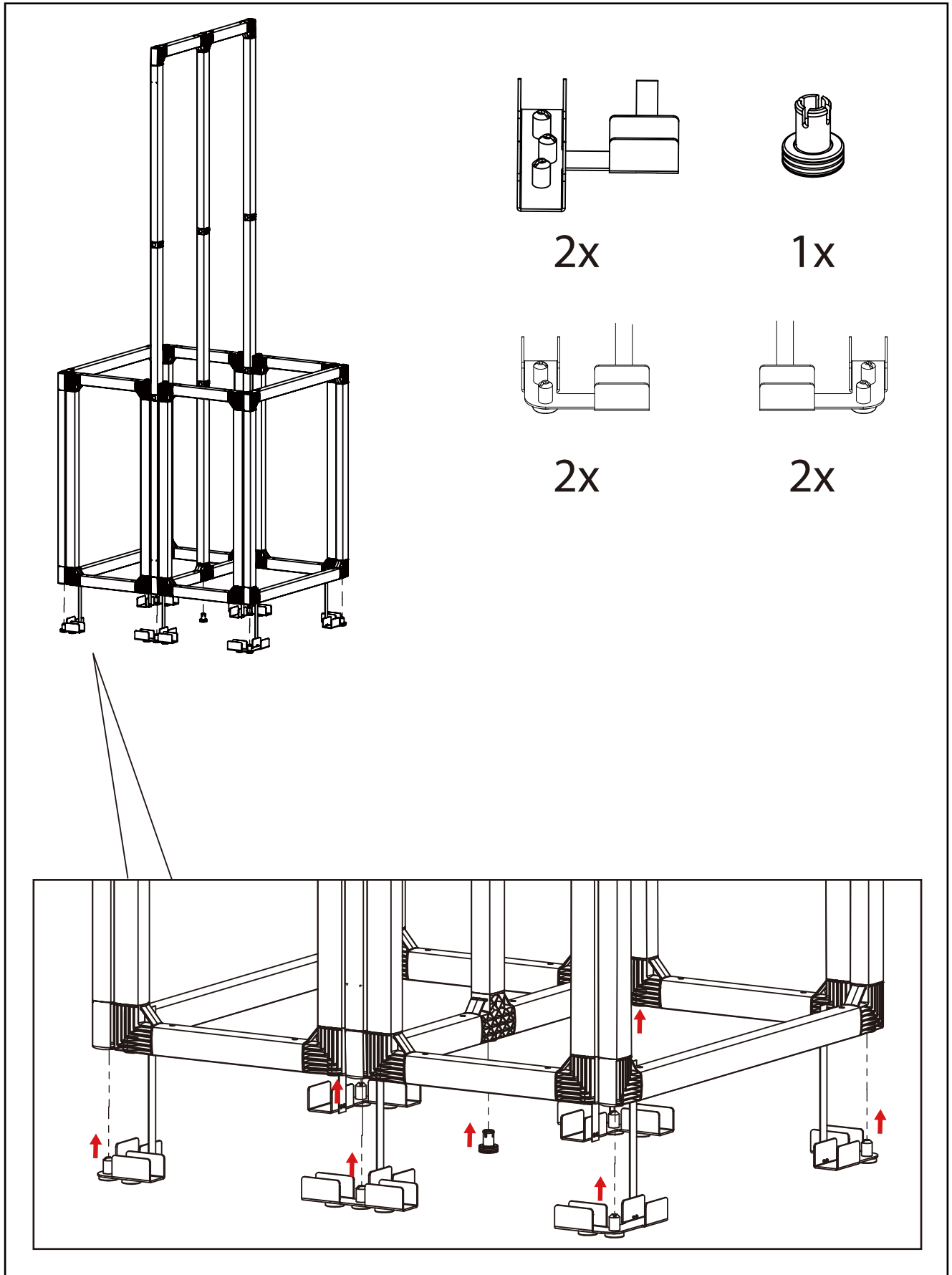
Expand GrandFabric Double-sided Demo pod with monitors Set-up instruction



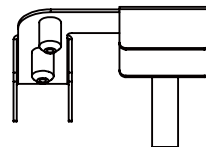
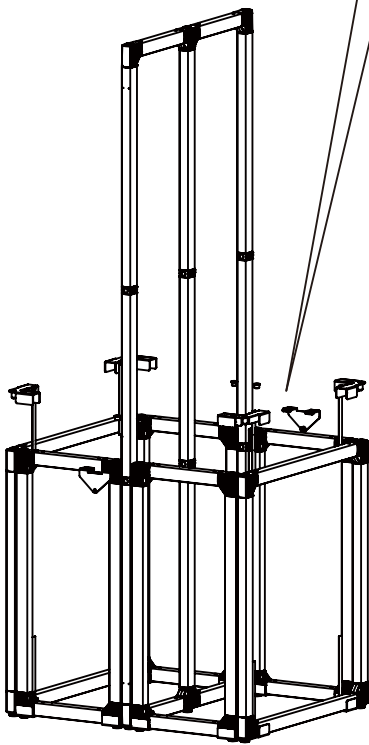
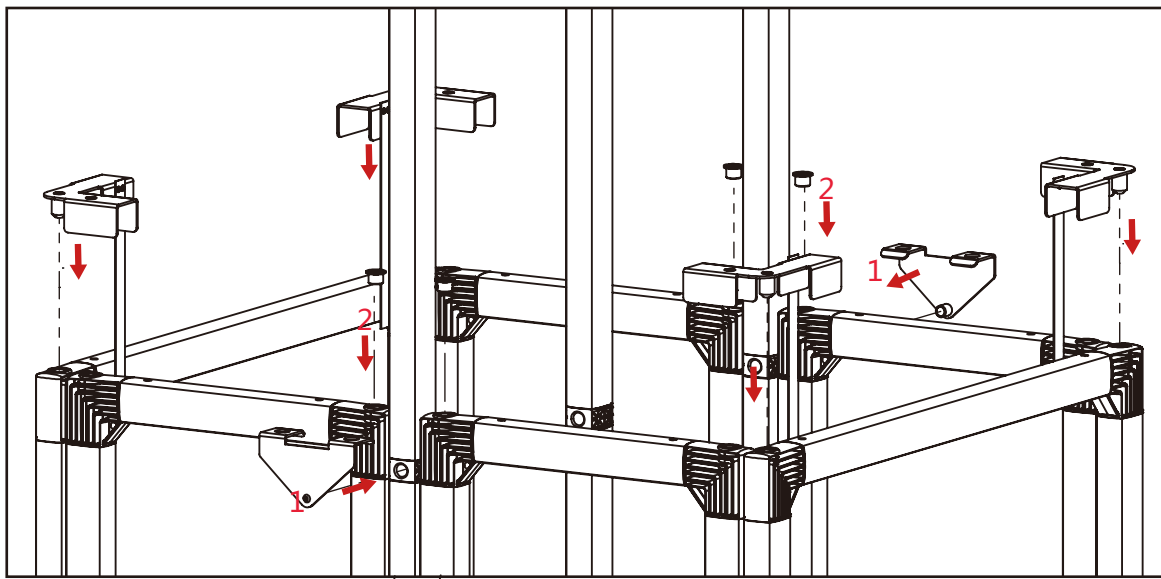
Backside Frame



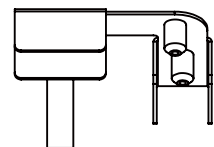
Bottom side Frame with bracket



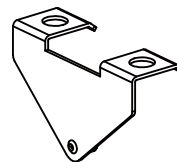
Top side Frame with bracket



1x



1x

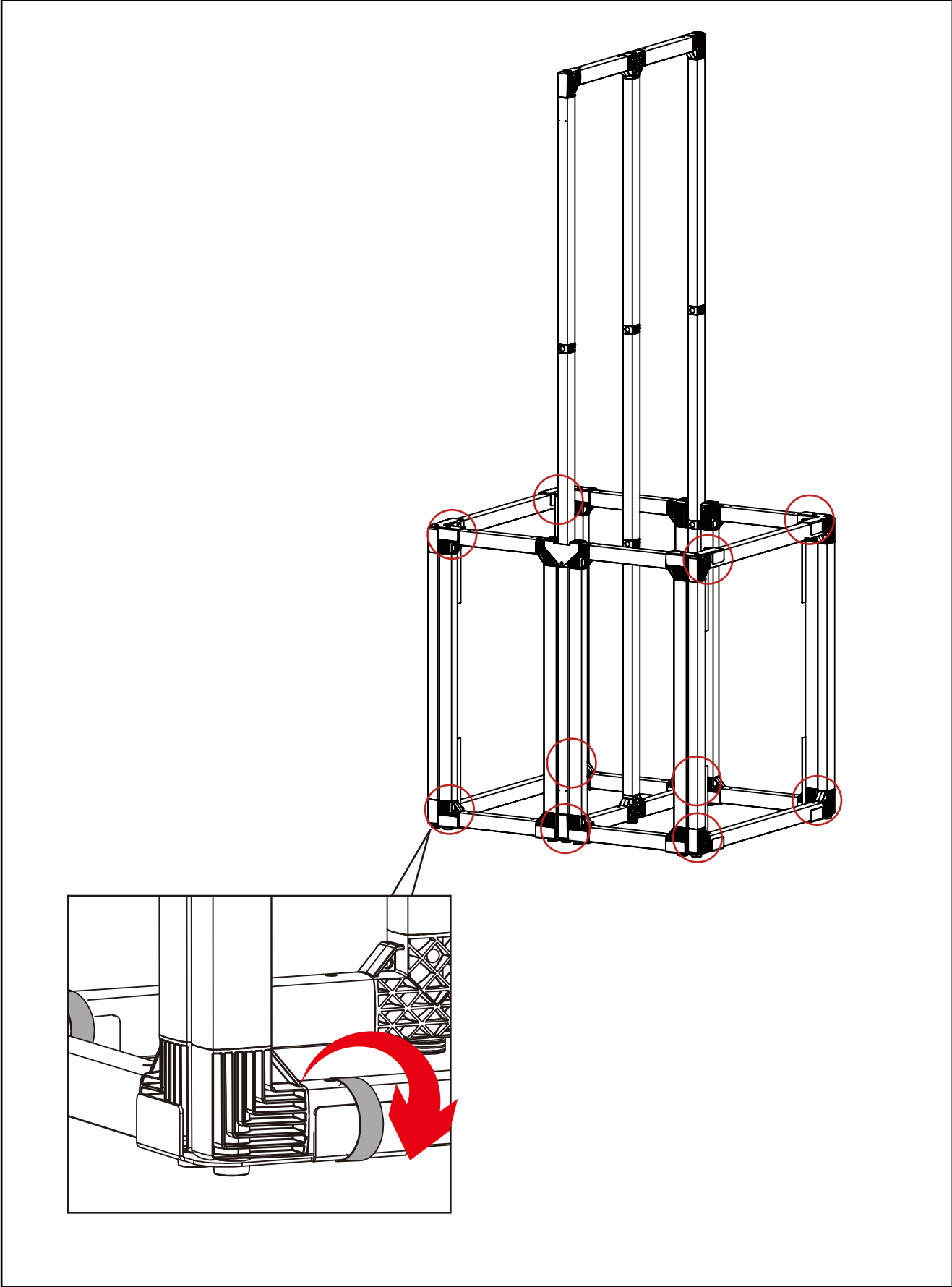


2x

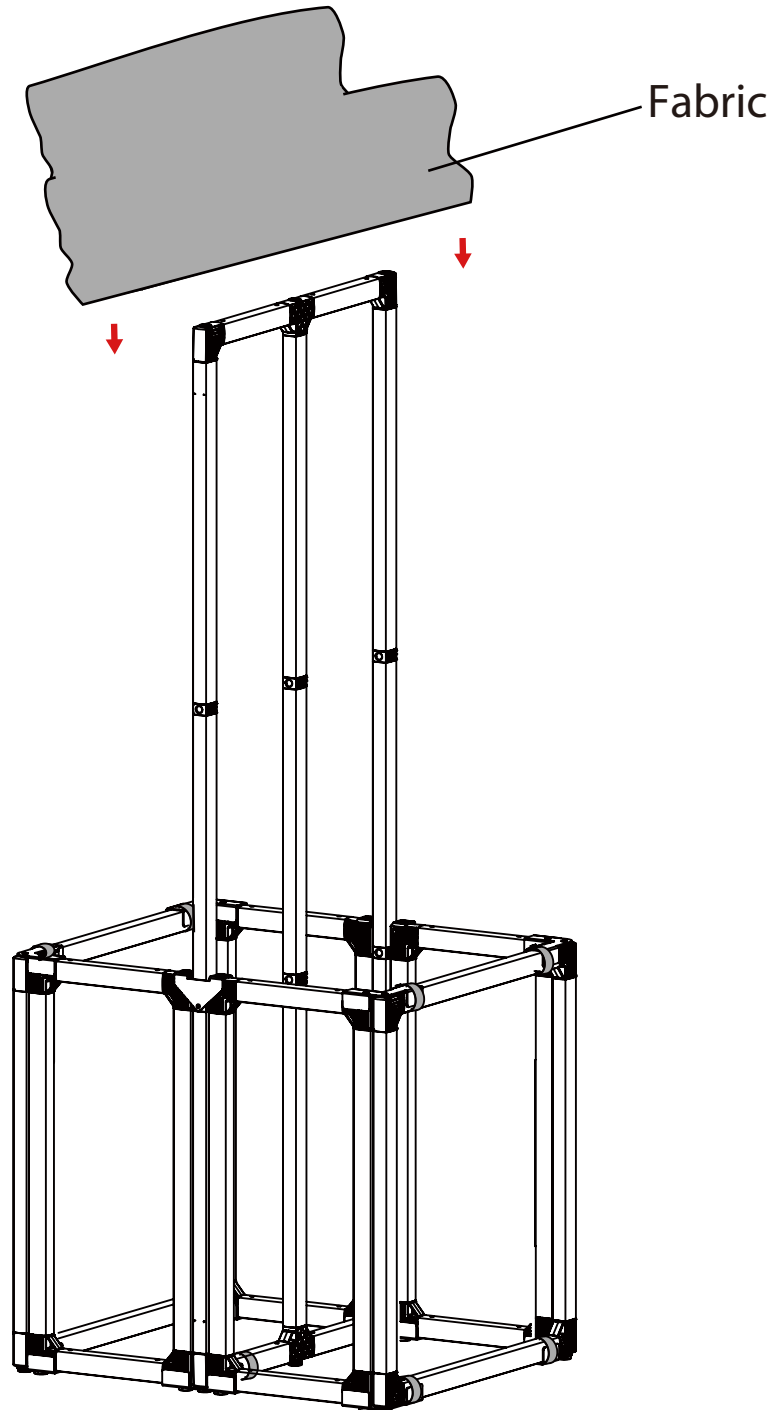


4x

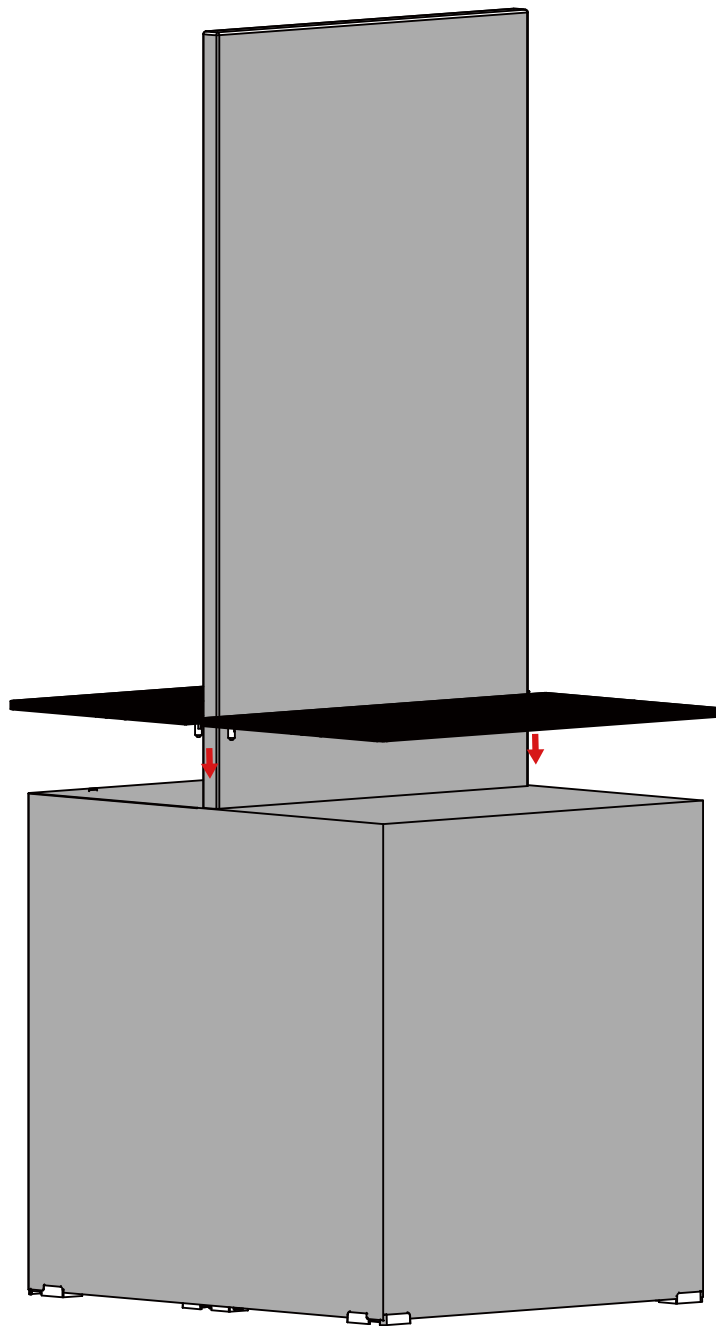
Fasten the Velcro



Pull on the Fabric



Mounting Table top



Mounting Monitors

Monitor maximum weight: 5 kg

4x 4x 4x 4x

click

2x

Warning

①

②

Double-sided monitors

The diagram illustrates the process of mounting a monitor. It shows the back of the monitor with a mounting bracket being attached. A screwdriver is used to tighten a screw. The hardware required is listed as four screws and four washers, each labeled '4x'. A warning section shows two circular diagrams: the top one shows a monitor being attached to a wall with a red 'X' indicating it is incorrect, and the bottom one shows a monitor being attached to a wall with a green checkmark indicating it is correct. The text 'Double-sided monitors' is placed below the correct diagram. The steps are numbered 1 and 2.