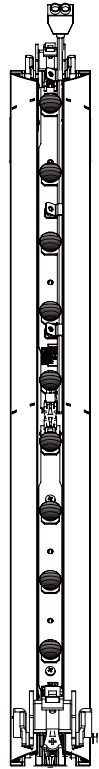


Expand LightBox portable Set-up Instruction

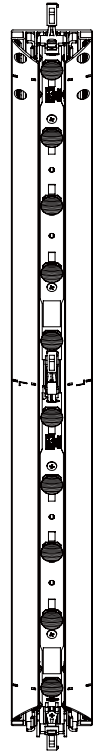
w80xh160cm デモ機



w80xh160cm デモ機内容



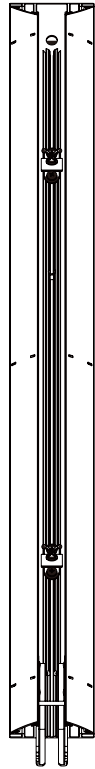
K.
1x



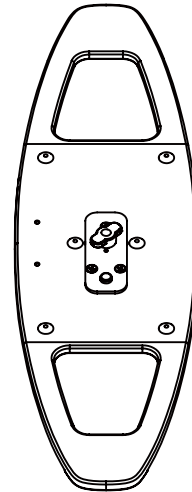
L.
1x



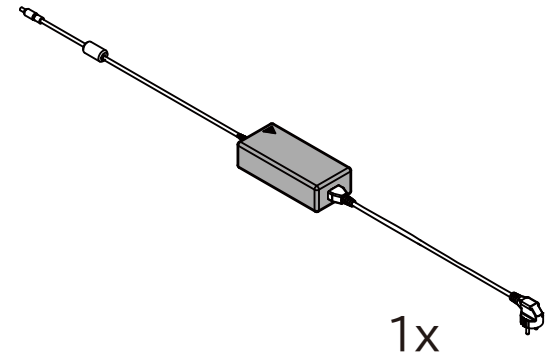
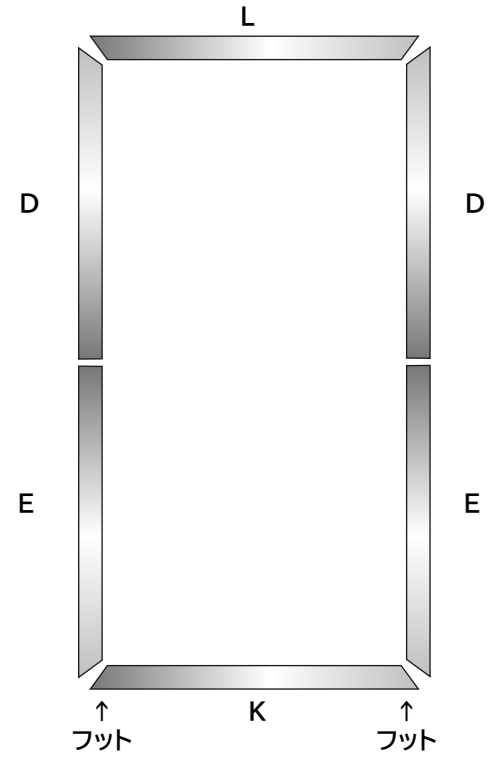
D.
2x



E.
2x



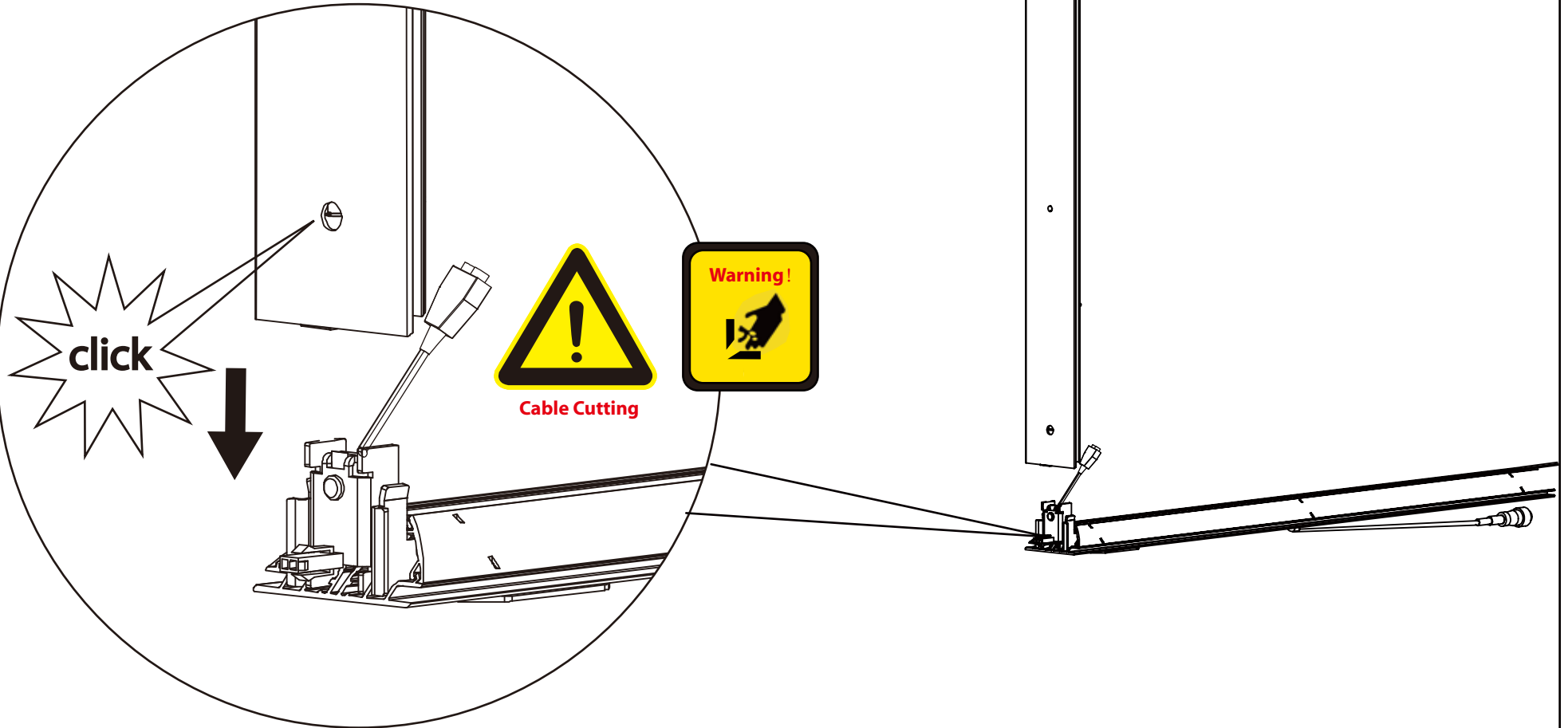
2x



1x

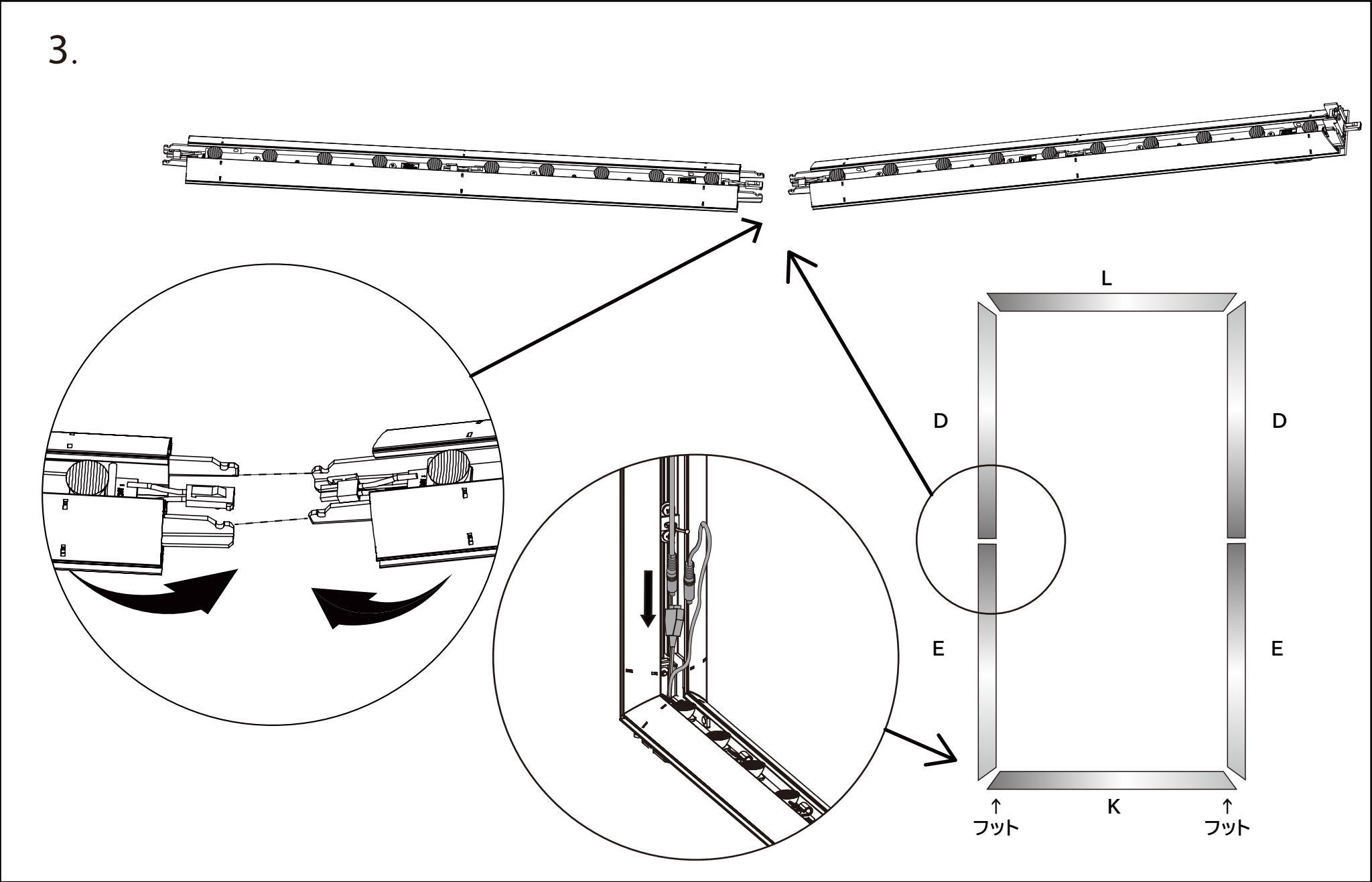
Frames mounting

2.



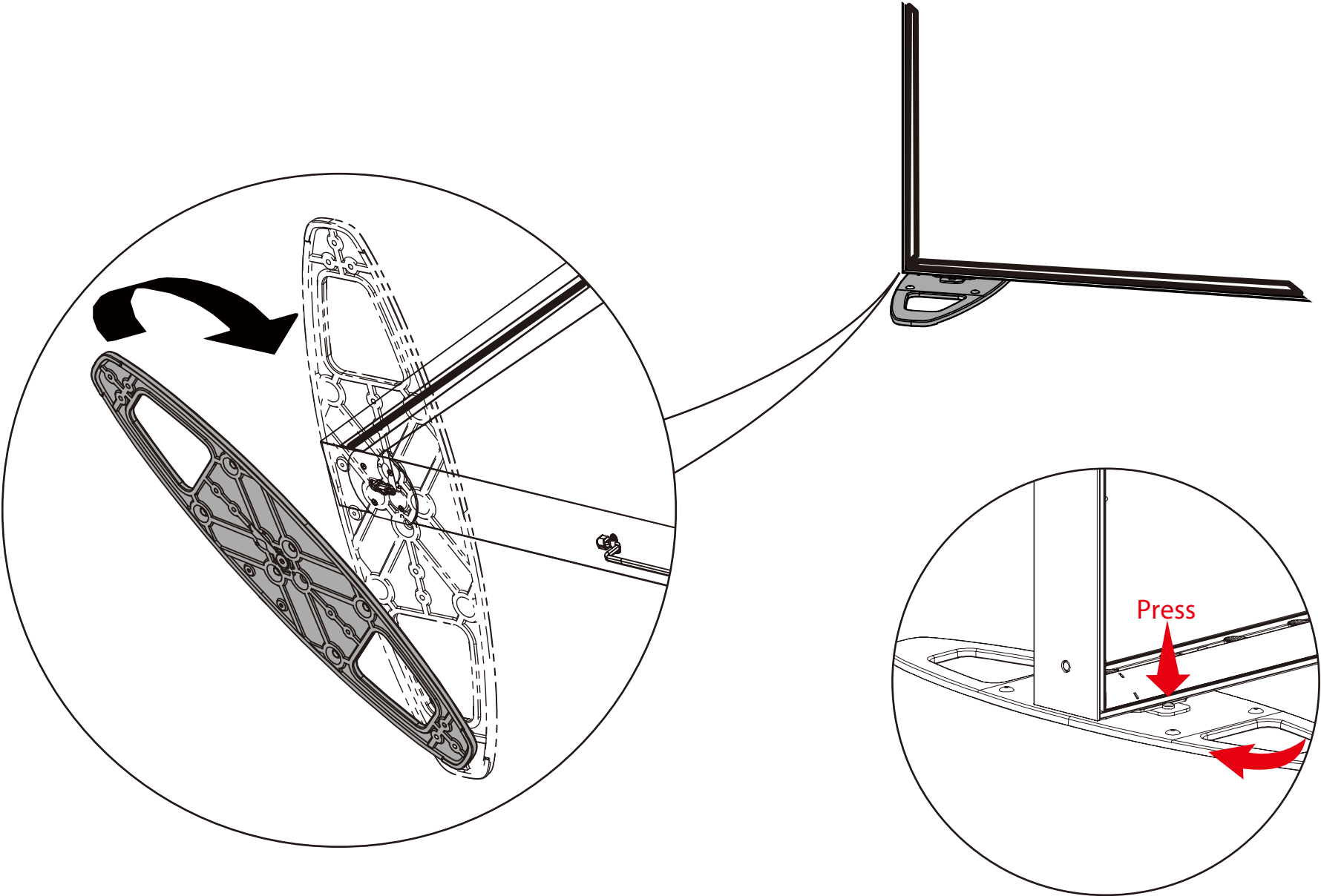
Frames mounting

3.



Feet instructions

4.



Fabric instructions

5.

