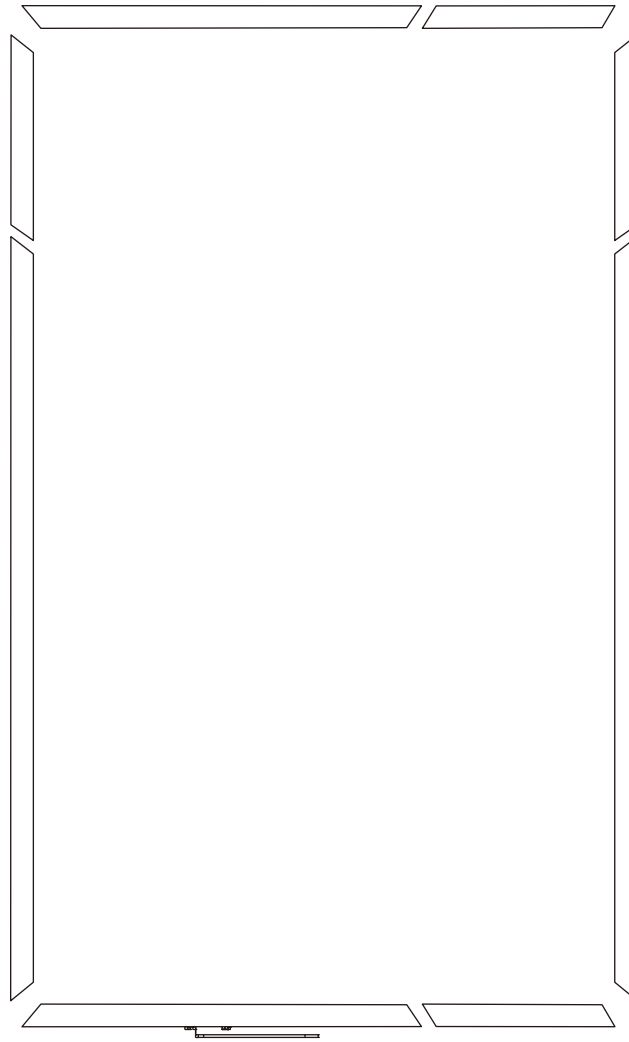
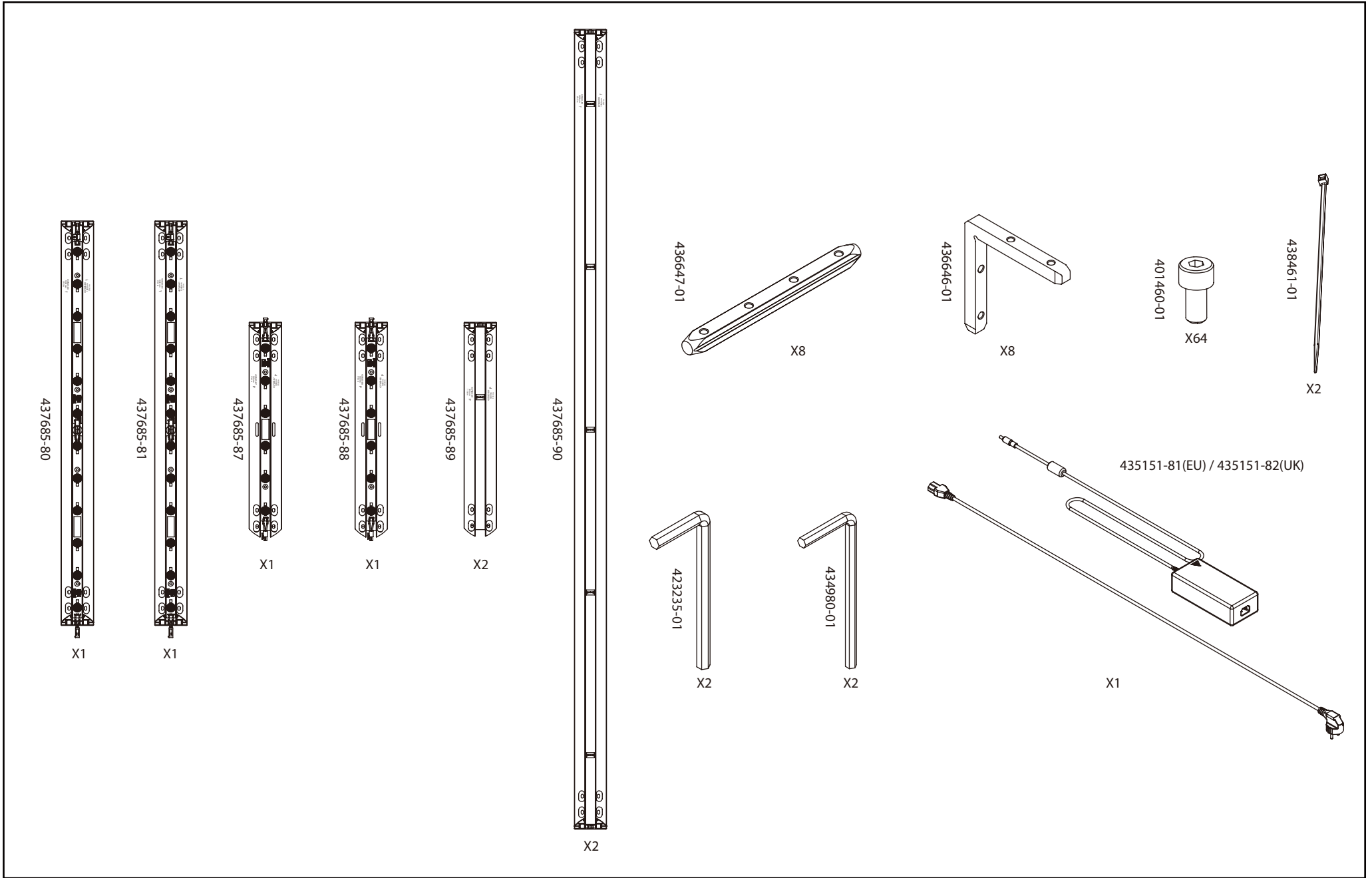


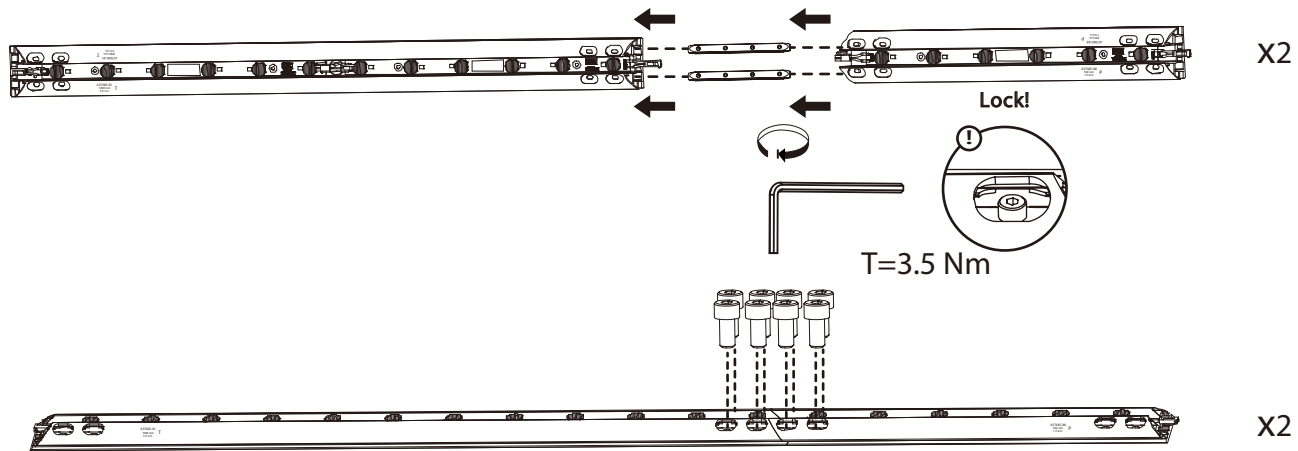
# Expand LightBox Set-up Instruction

1500 x 2500 mm

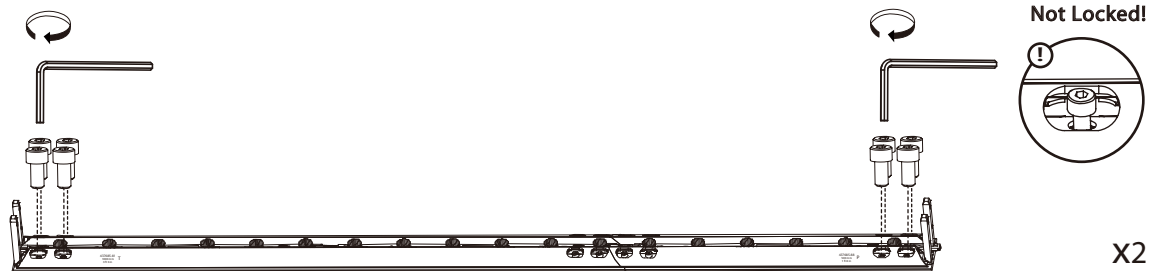
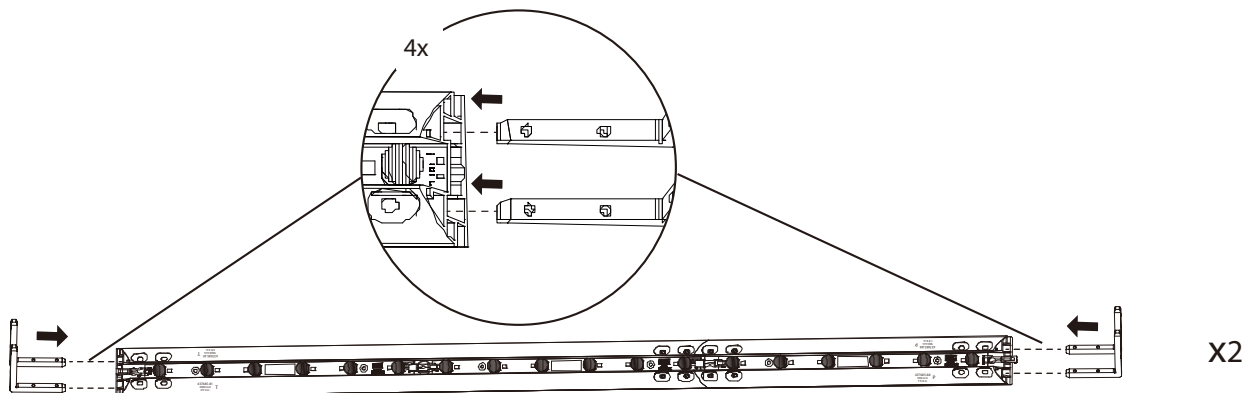
4 ft 11 in x 8 ft 2 in



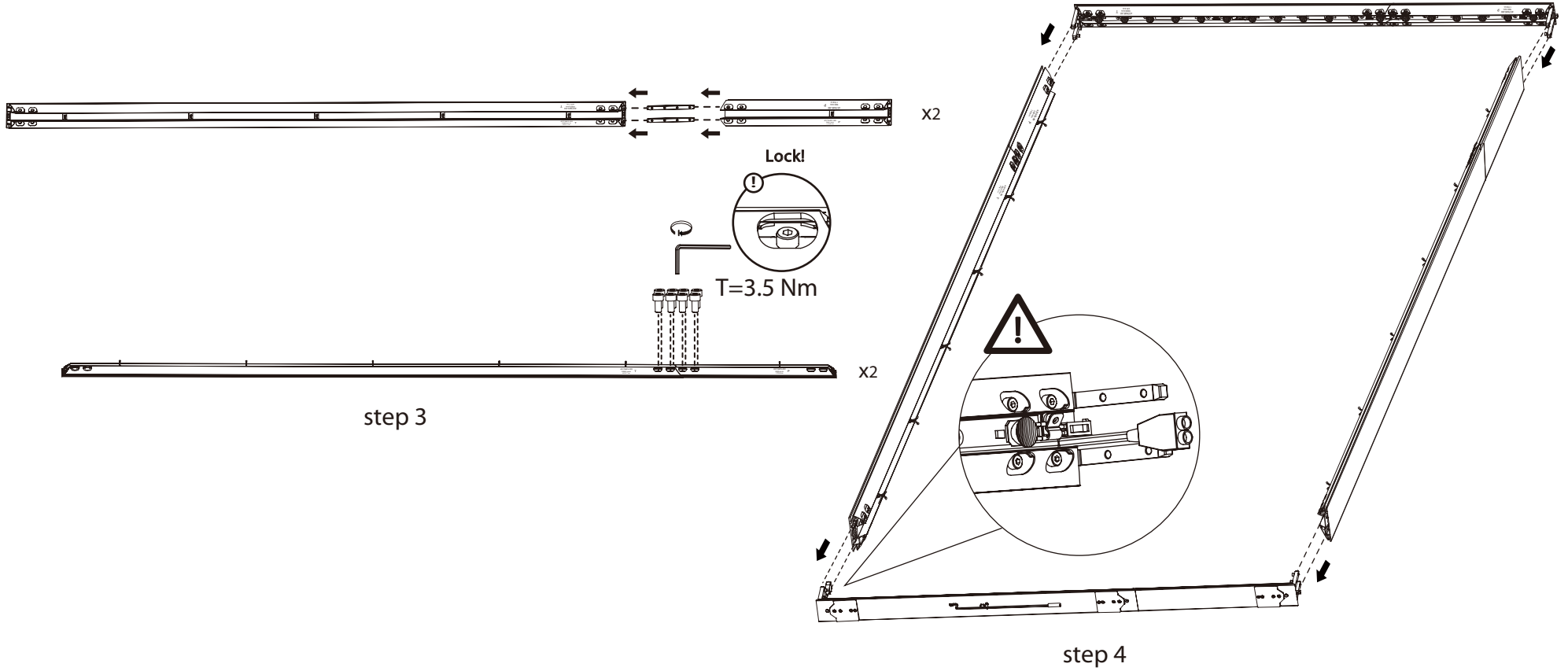


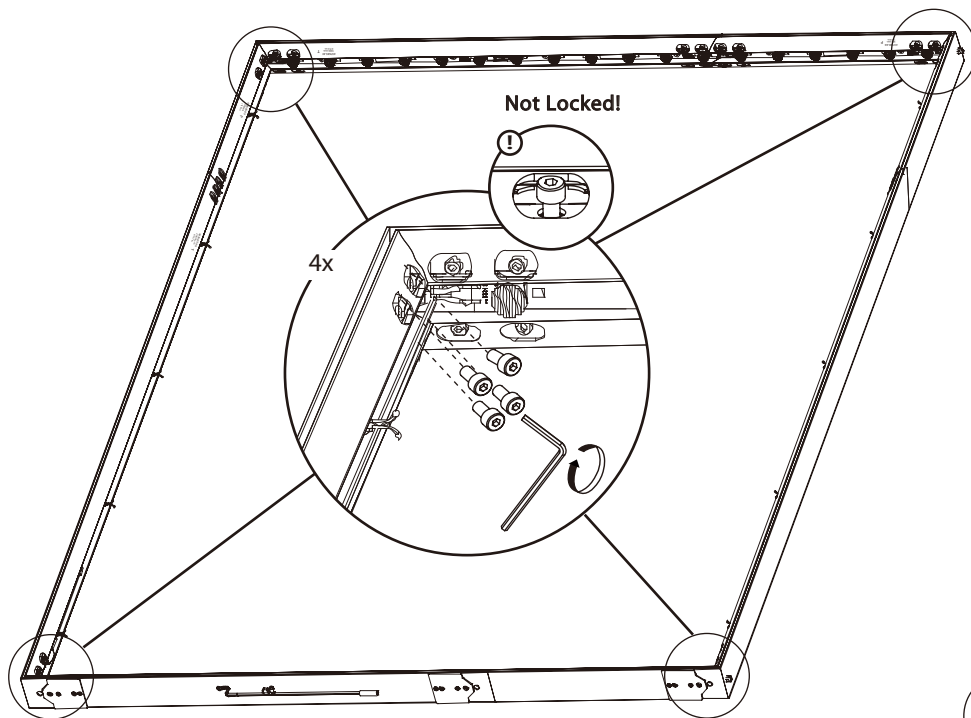


step 1

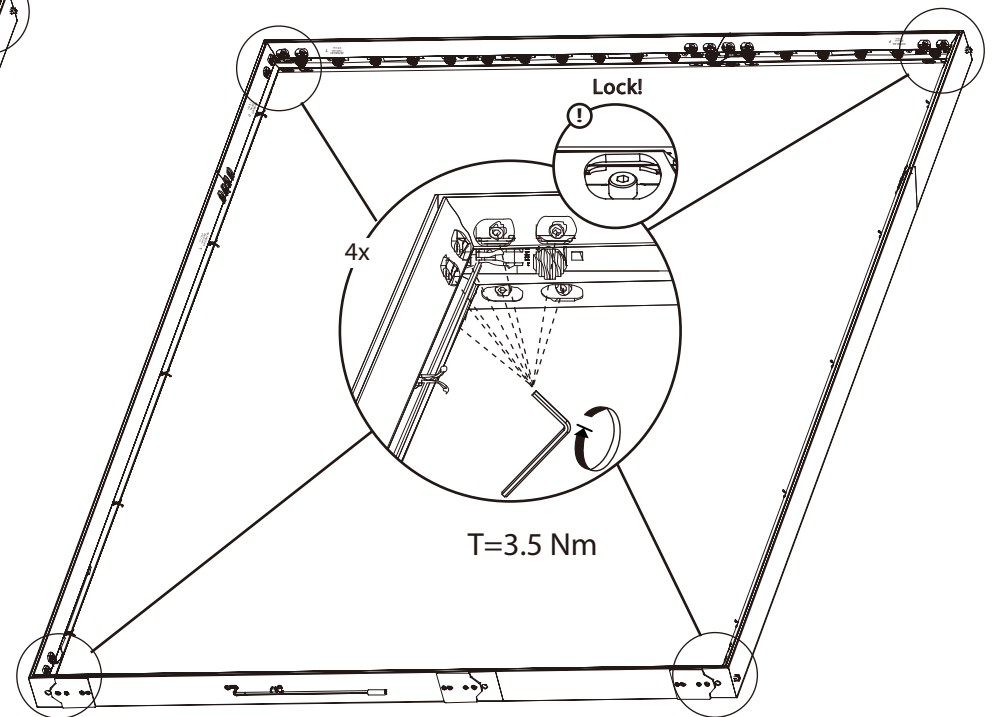


step 2

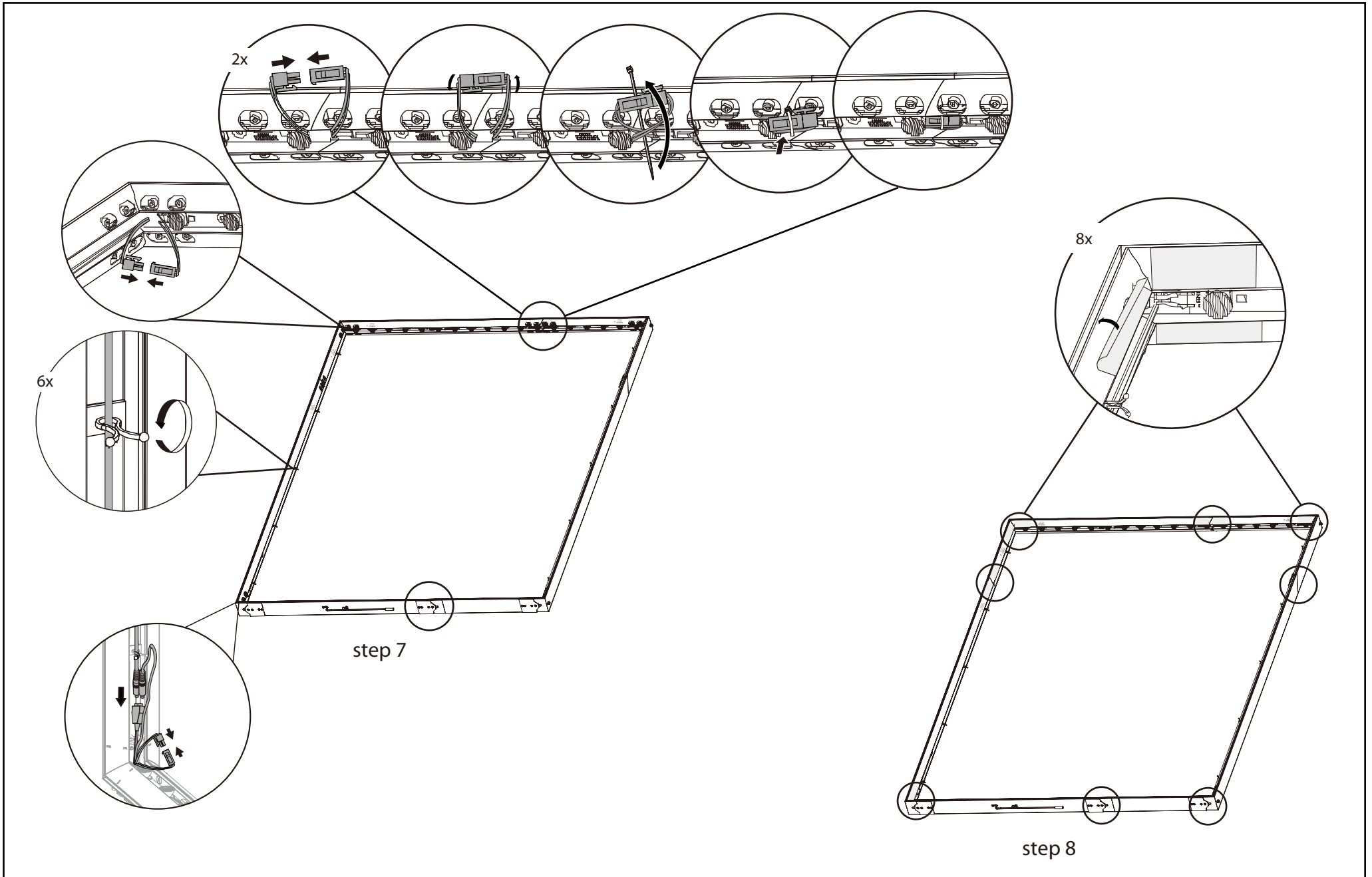


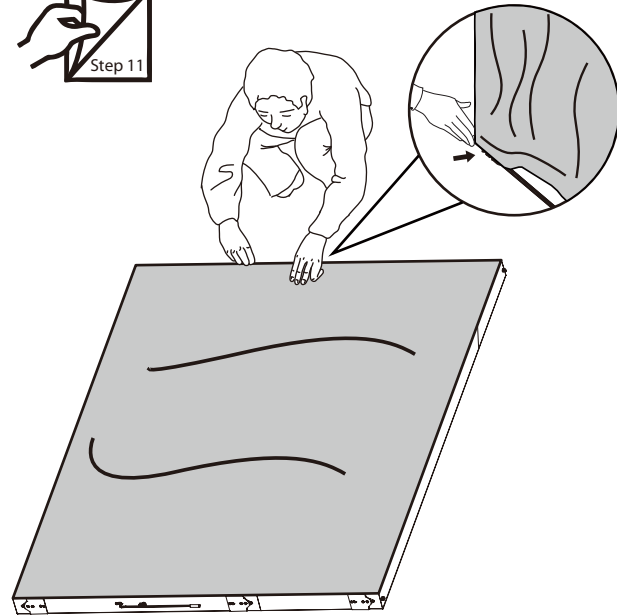
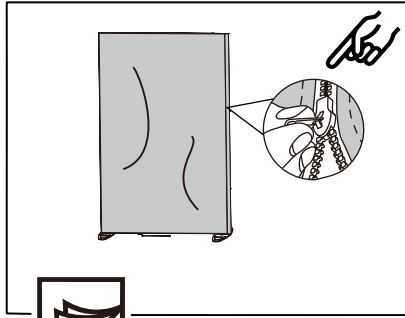
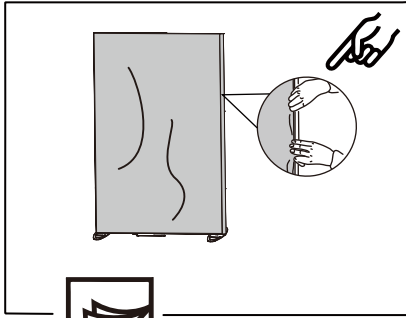


step 5

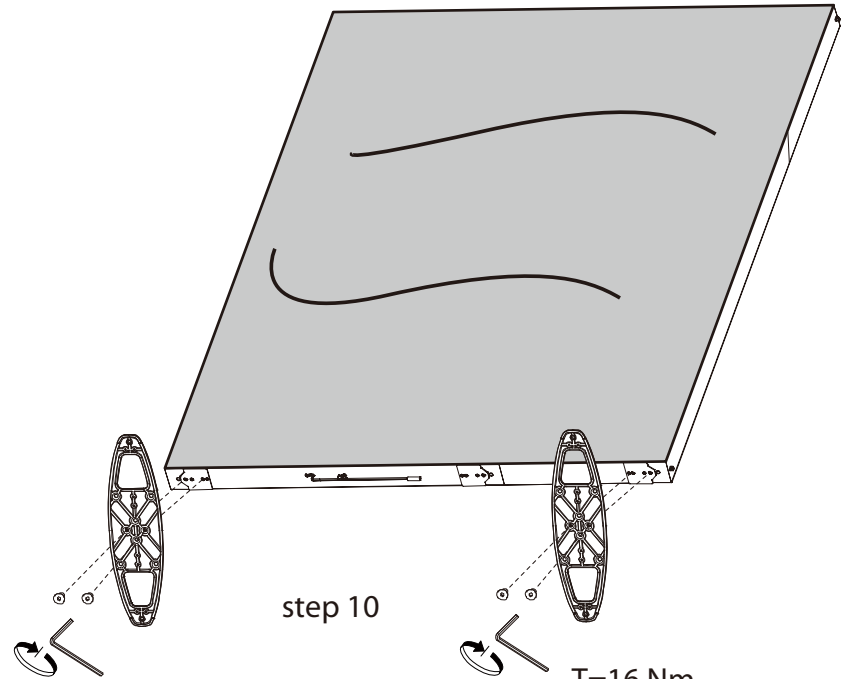


step 6





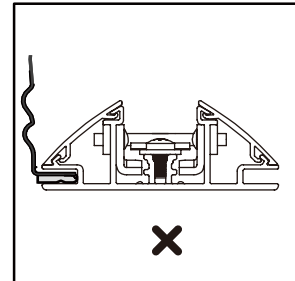
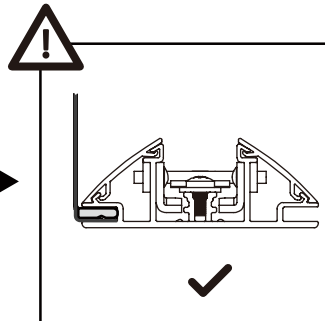
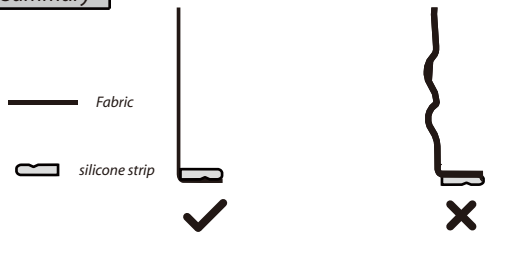
step 9

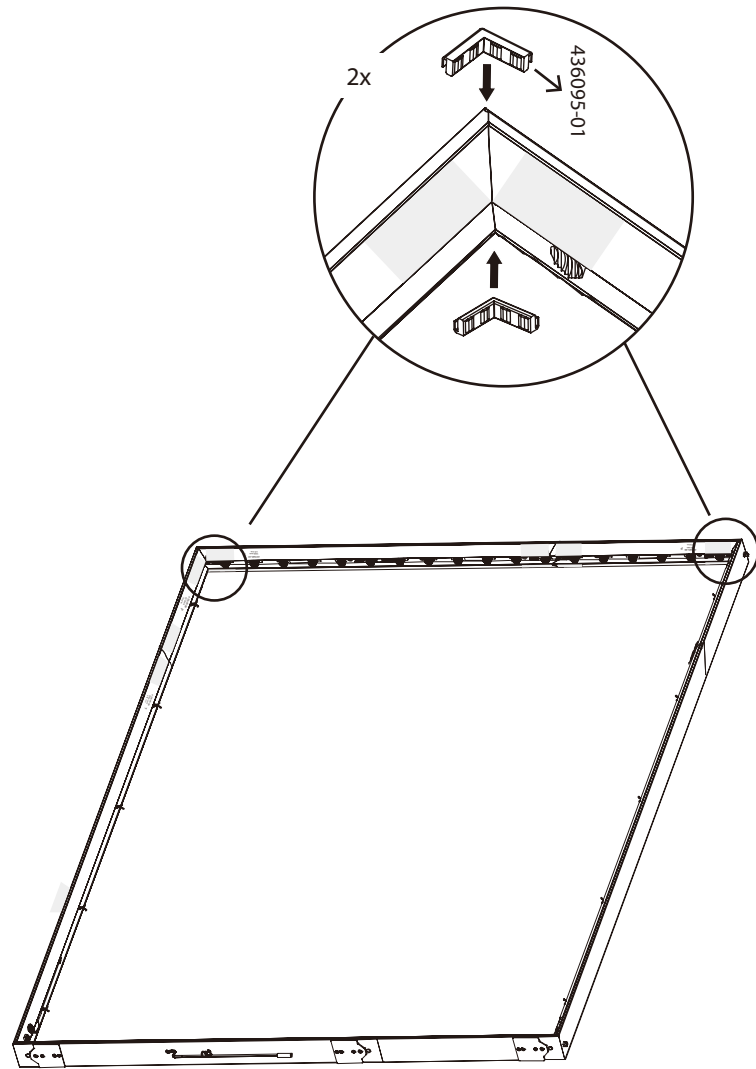


step 10

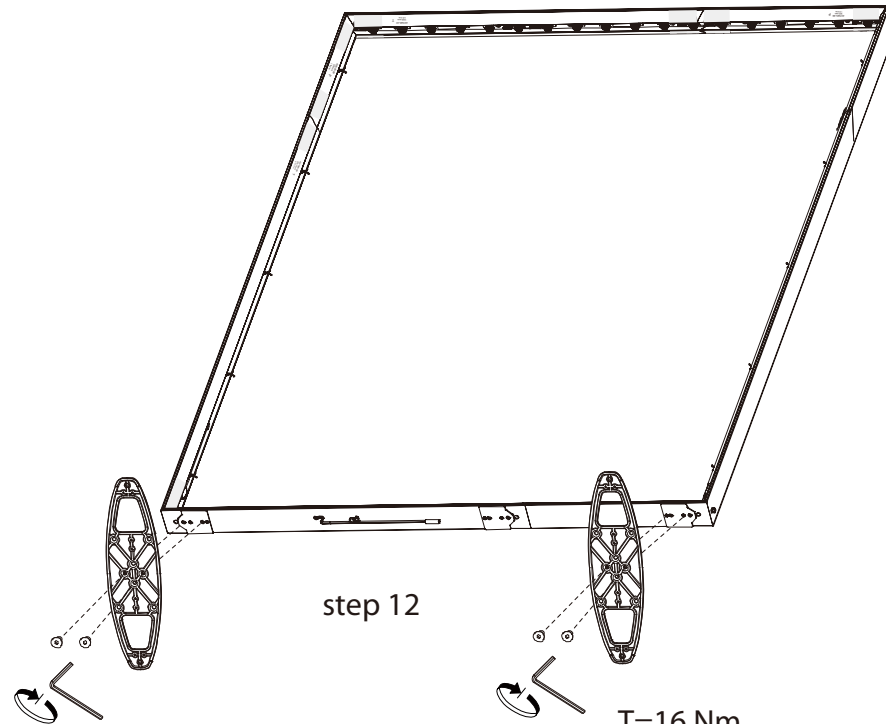
T=16 Nm  
(Refer to 438947-01)

Summary





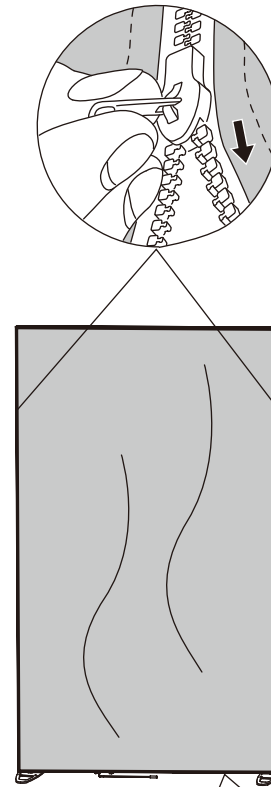
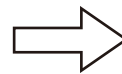
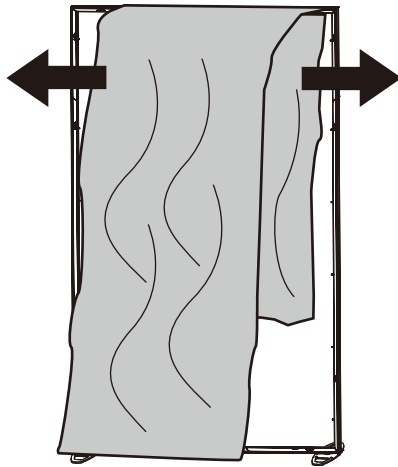
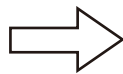
step 11



step 12

T=16 Nm  
(Refer to 438947-01)





step 13

Summary

