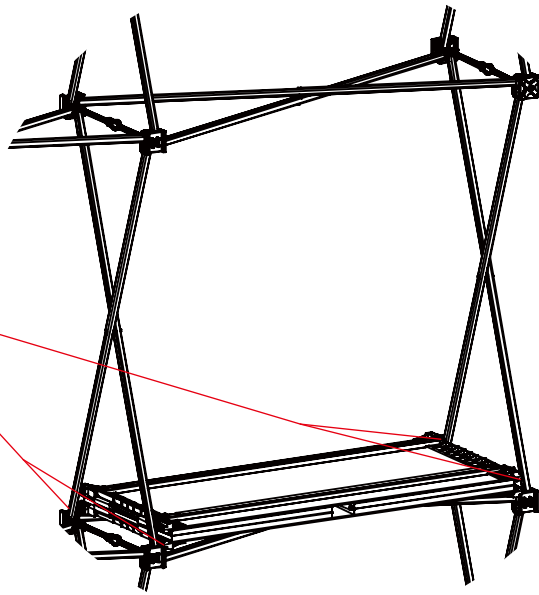
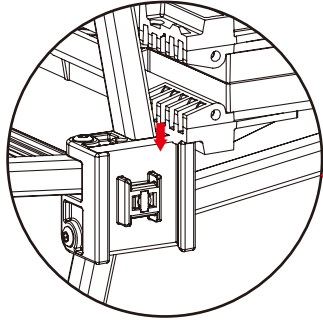
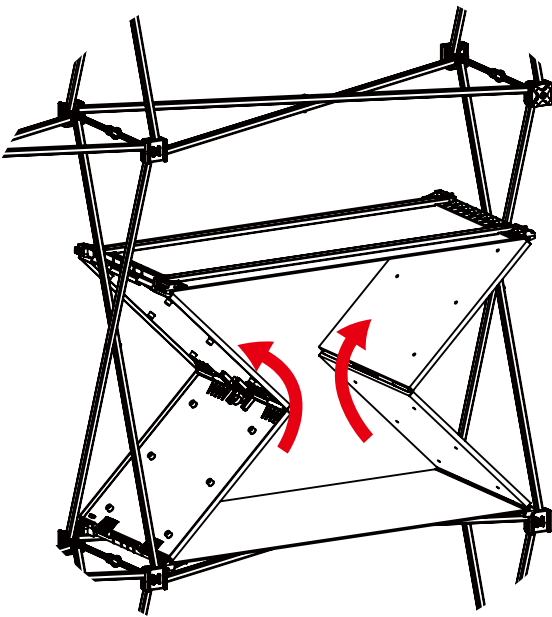


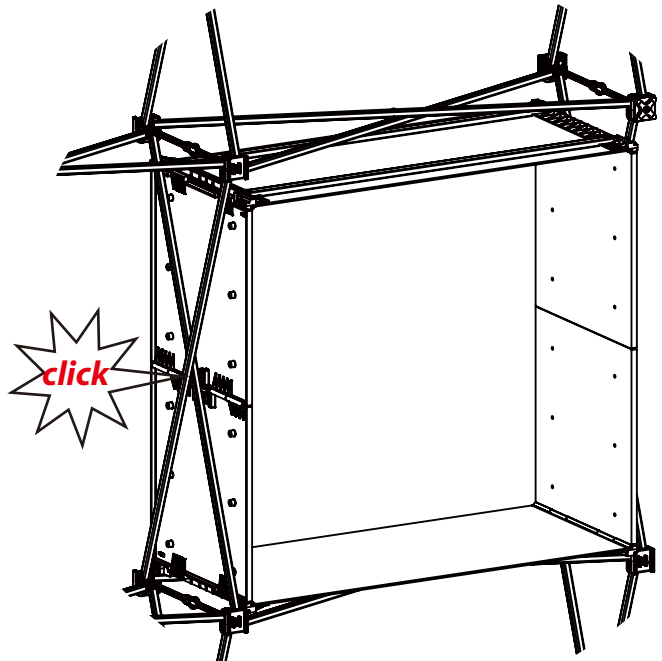
# Expand Showcase Set-up Instruction



Step 1



Step 2



Step 3